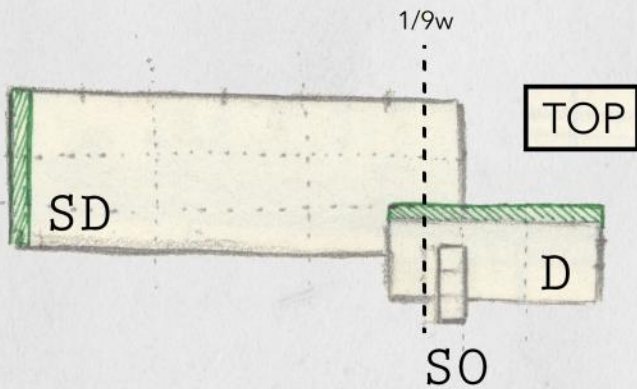
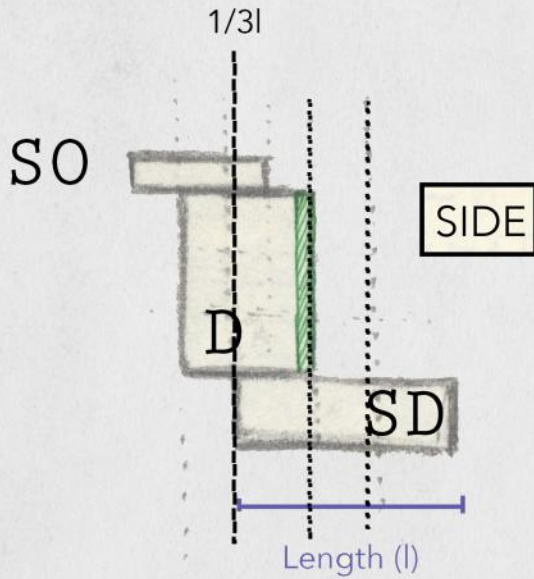
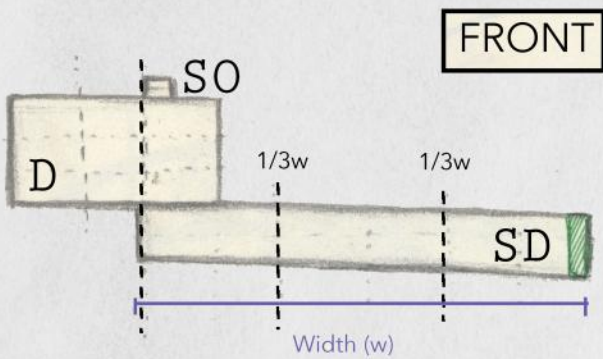


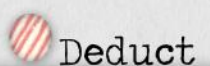
SKETCH MODELS

#01



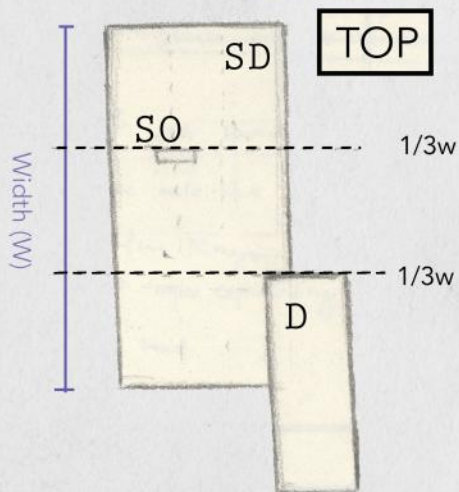
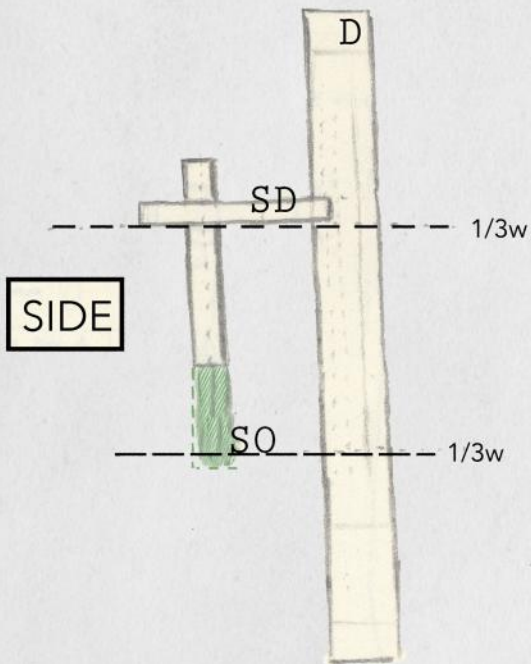
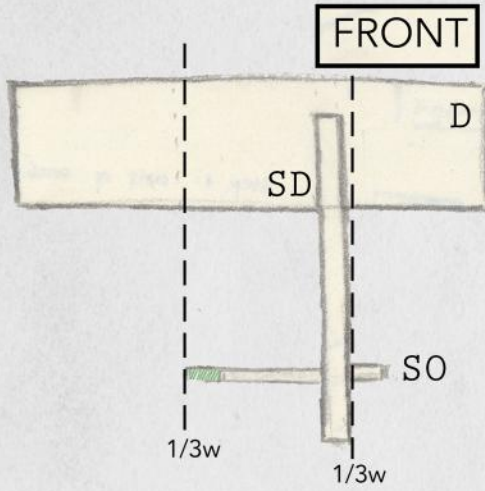
- Confusion between D and SD , as SD 's length competes with D 's size.
- Small addition to D and SD to fulfill the "one-third" rule precisely.
- Need to change position of SO to balance the weight of the structure,

LEGEND

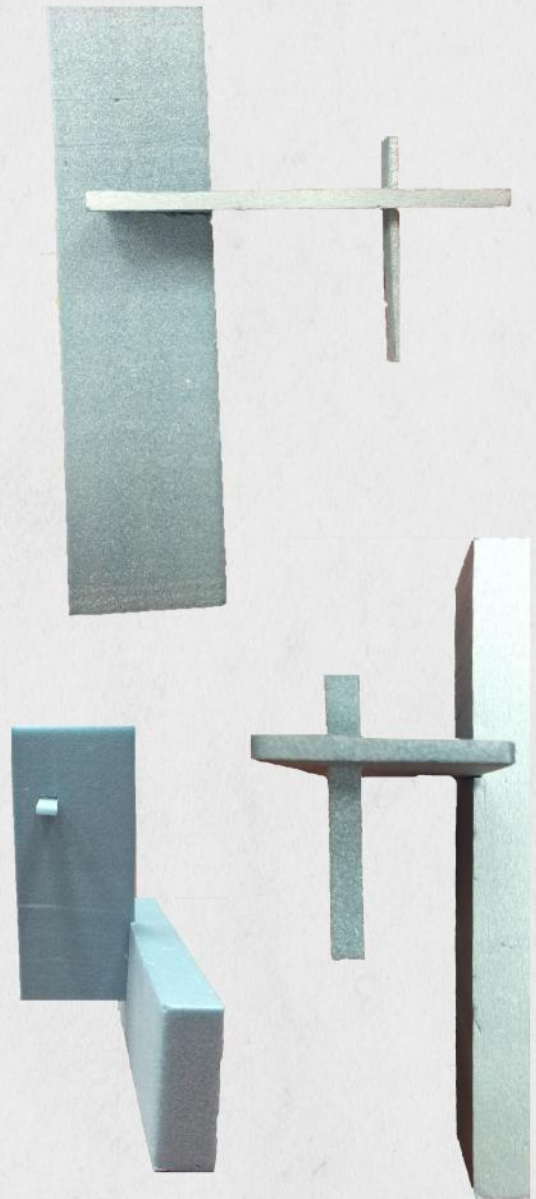


SKETCH MODELS

#02




3D MODELS



- SD is longer than half of D.
- SD and SO appear too similar when viewed sideways.
- Increase the length of SO to make it more distinguishable from the SD and to also follow the one-third rule more precisely.
- SD appear to be the D when viewed from the top.

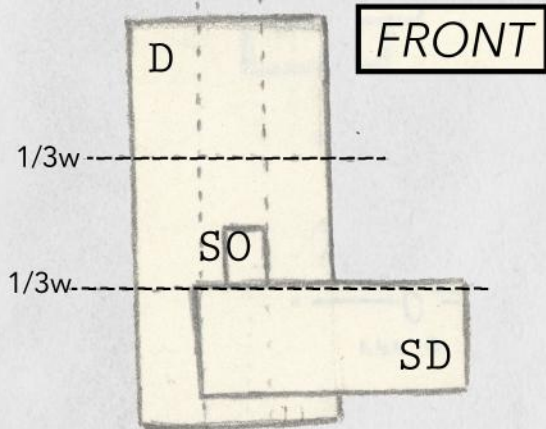
LEGEND

 Add

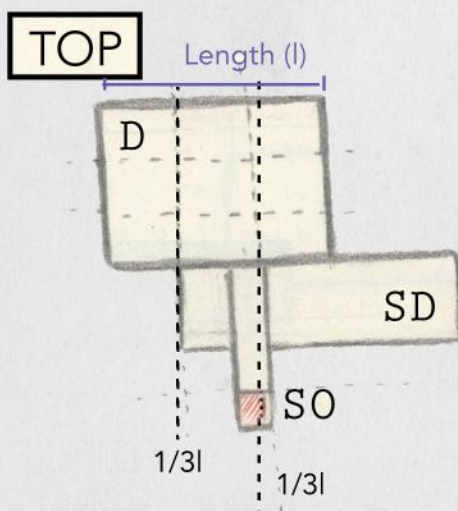
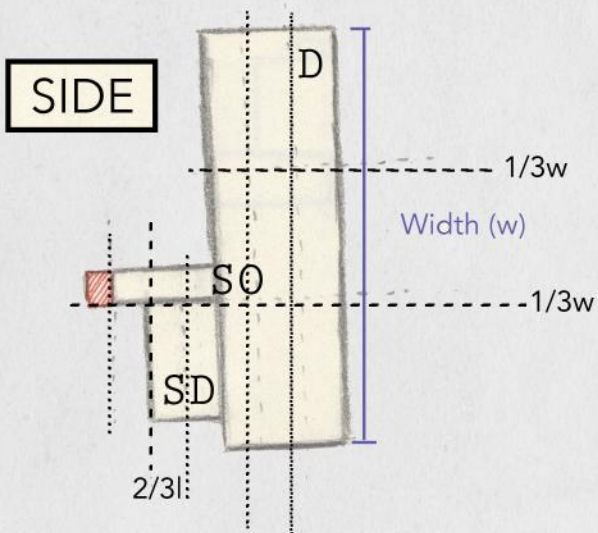
 Deduct

SKETCH MODELS

#03



3D MODEL



- SD is longer than half of D.
- Attempt in cradling, but SO is not seen from the back.
- SO should be shortened so that SD would not be confused with SO.

LEGEND

